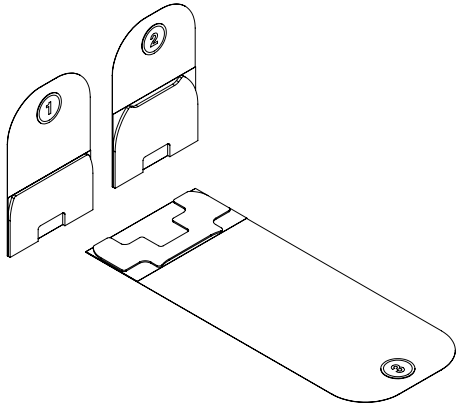
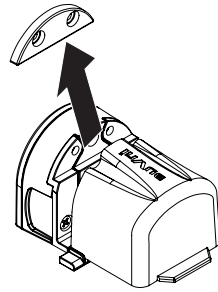
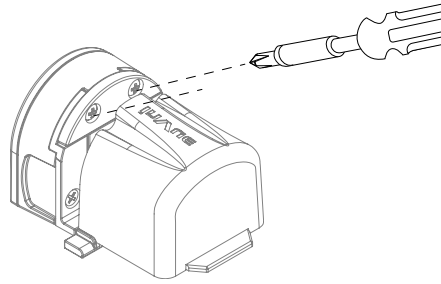


inVue

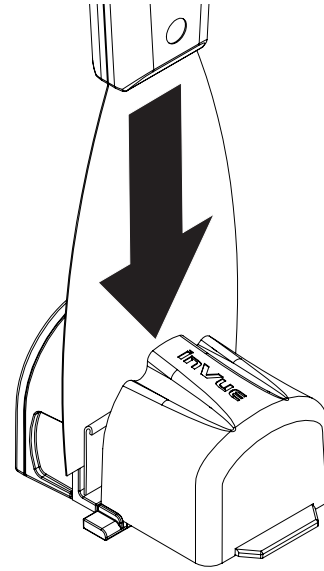
L440
Replacement Adhesive Kit
PL942



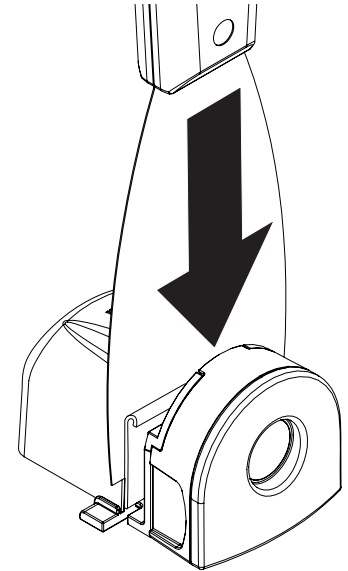
- 1 Remove the two screws and the spacer from the L440 front housing.



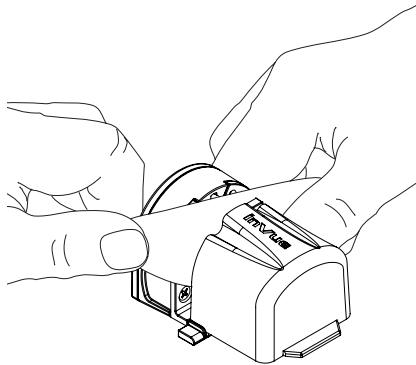
- 2 Use a putty knife to remove the old adhesive from the front housing. **Be careful not to damage the ribbon cable at the bottom.**



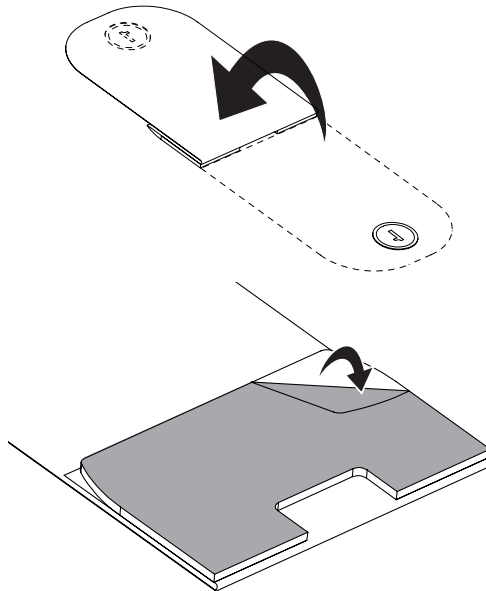
- 3 Use a putty knife to remove the old adhesive from the rear housing. **Be careful not to damage the ribbon cable at the bottom.**



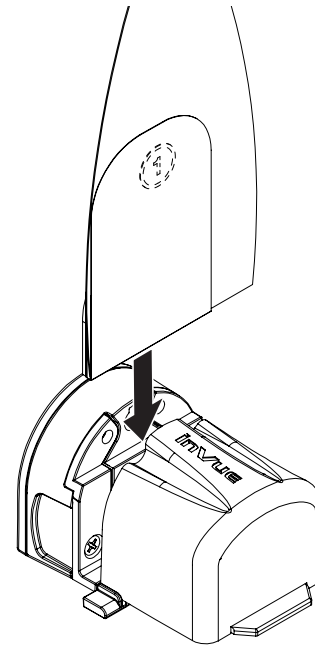
- 4 Wipe the inner surfaces of the front and rear housings with an alcohol wipe.



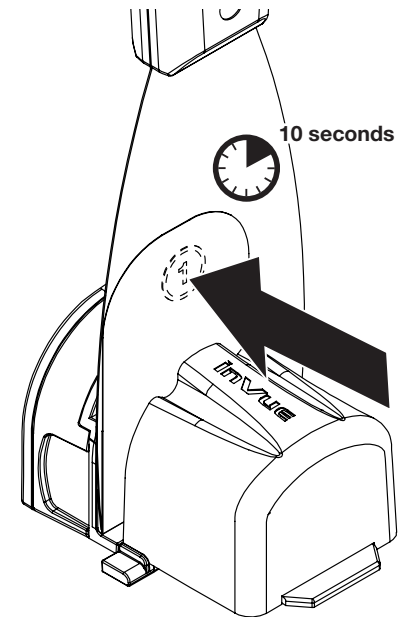
- 5 Fold the adhesive pull tab (labeled "1") for the front housing adhesive as shown. Remove the adhesive liner.



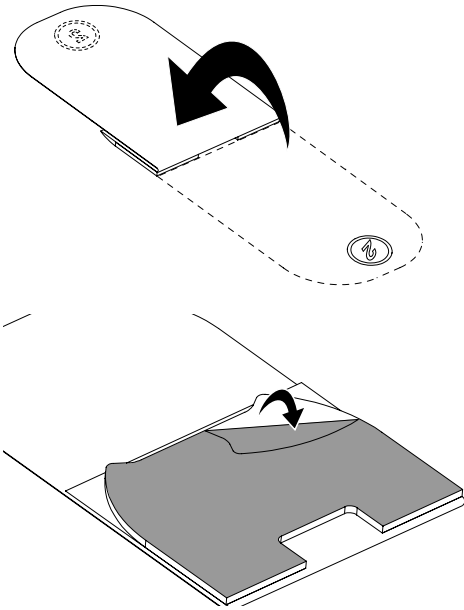
- 6 Attach the front housing adhesive to the front housing.



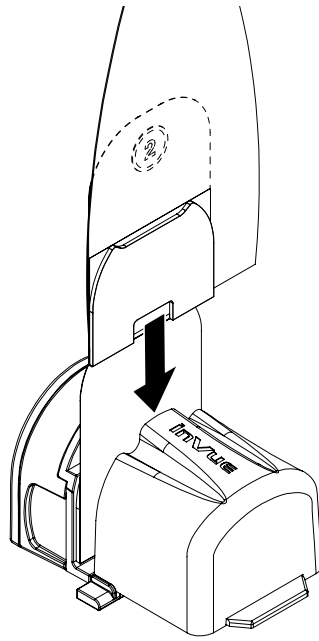
- 7 Use the putty knife to press the adhesive against the front housing for at least 10 seconds.



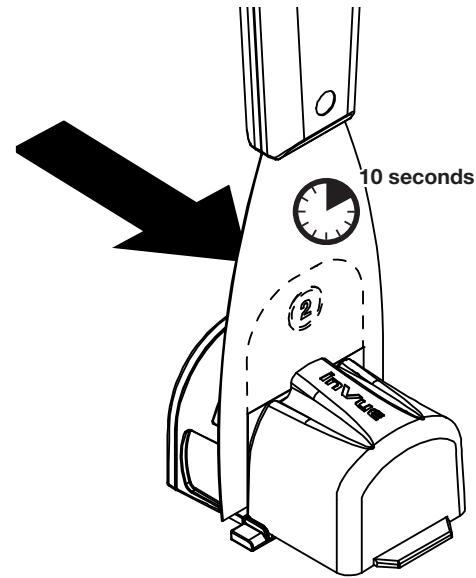
- 8 Fold the adhesive pull tab (labeled "2") for the rear housing adhesive as shown. Remove the adhesive liner.



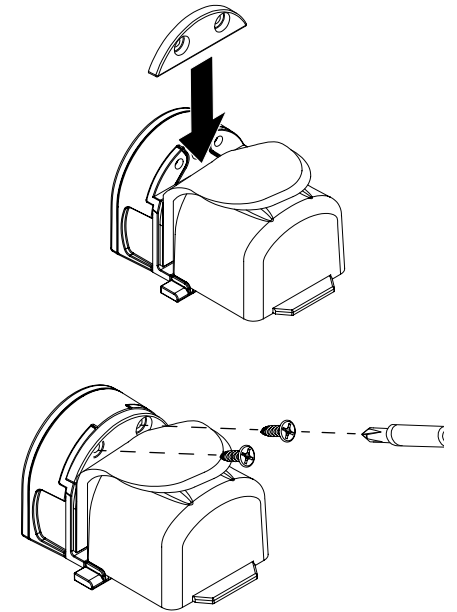
- 9 Attach the rear housing adhesive to the rear housing.



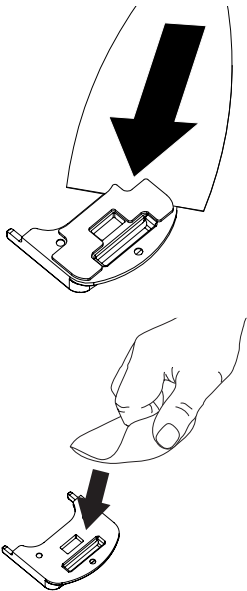
- 10 Use the putty knife to press the adhesive against the rear housing for at least 10 seconds.



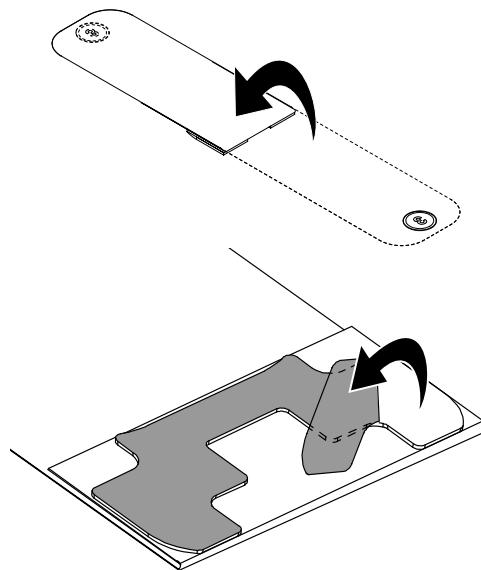
- 11 Attach the spacer to the front housing with the 2 screws.



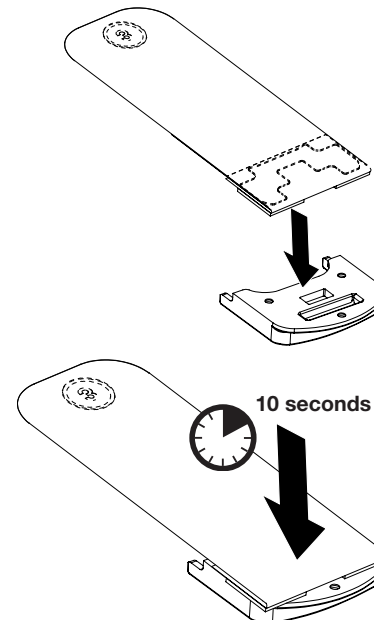
- 12 Remove the old adhesive from the screw mount strike plate. Wipe the bottom of the strike plate with an alcohol wipe.



- 13 Fold the adhesive pull tab for the strike plate adhesive as shown. Remove the adhesive liner.



- 14 Attach the adhesive to the strike plate as shown and apply pressure for at least 10 seconds.



SD0481 Rev3 05/22/2017

- 15 To reinstall the L440, please see the instructions for PL901 or PL901-Sound.

invue

www.invue.com

NA / LATAM // 704.752.6513 • 888.55.INVUE

EMEA // +31.23.8900150

APAC // +852.3127.6811

© 2016 InVue Security Products Inc. All rights reserved.
InVue is a registered trademark of InVue Security Products.