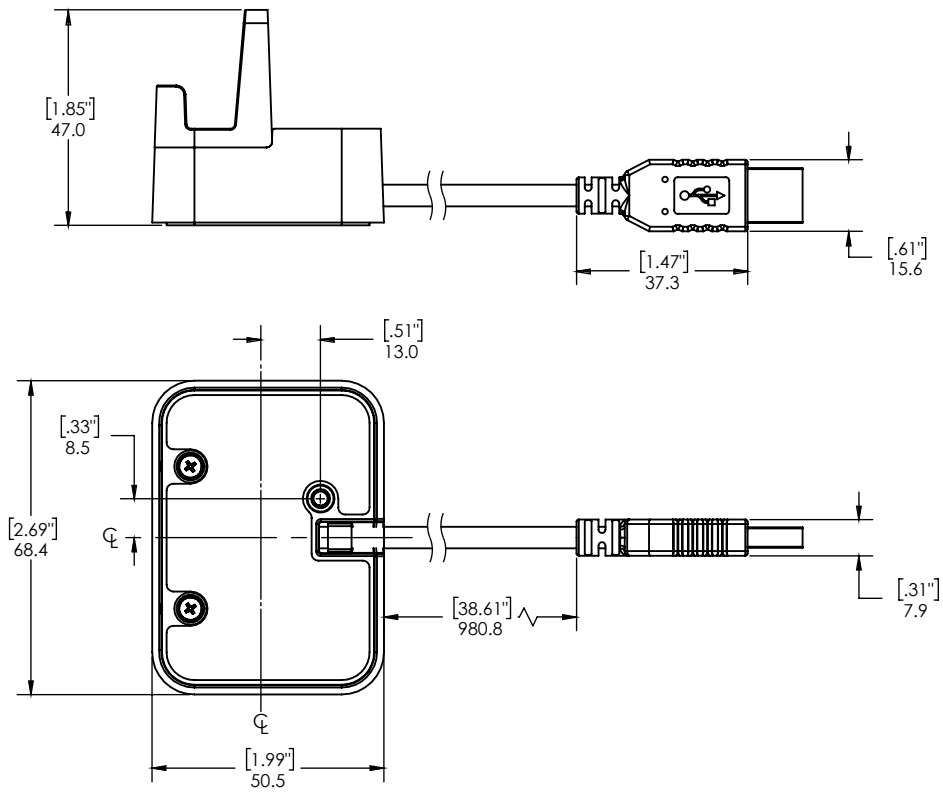
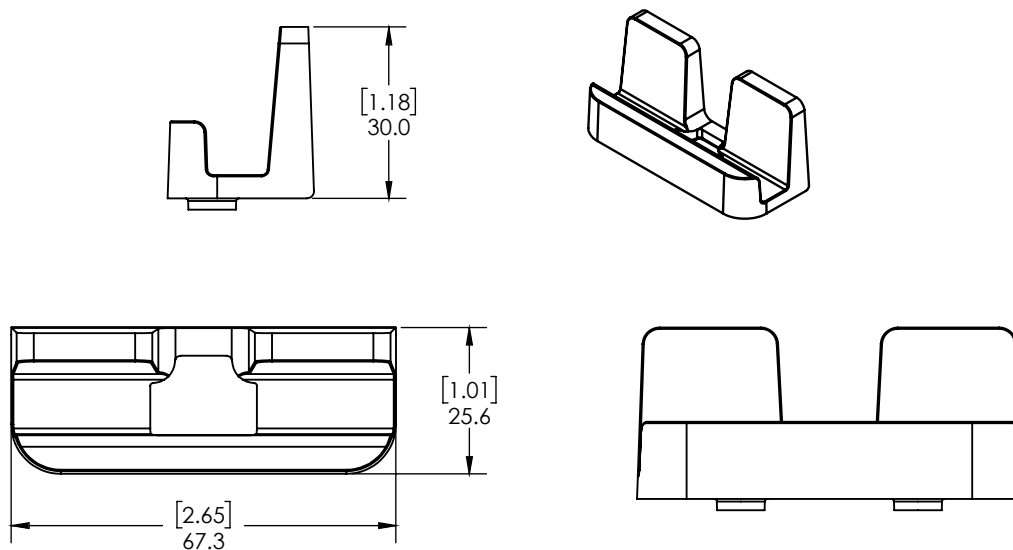


## SPECIFICATIONS

S855V VERTICAL HH STAND (DCD209):

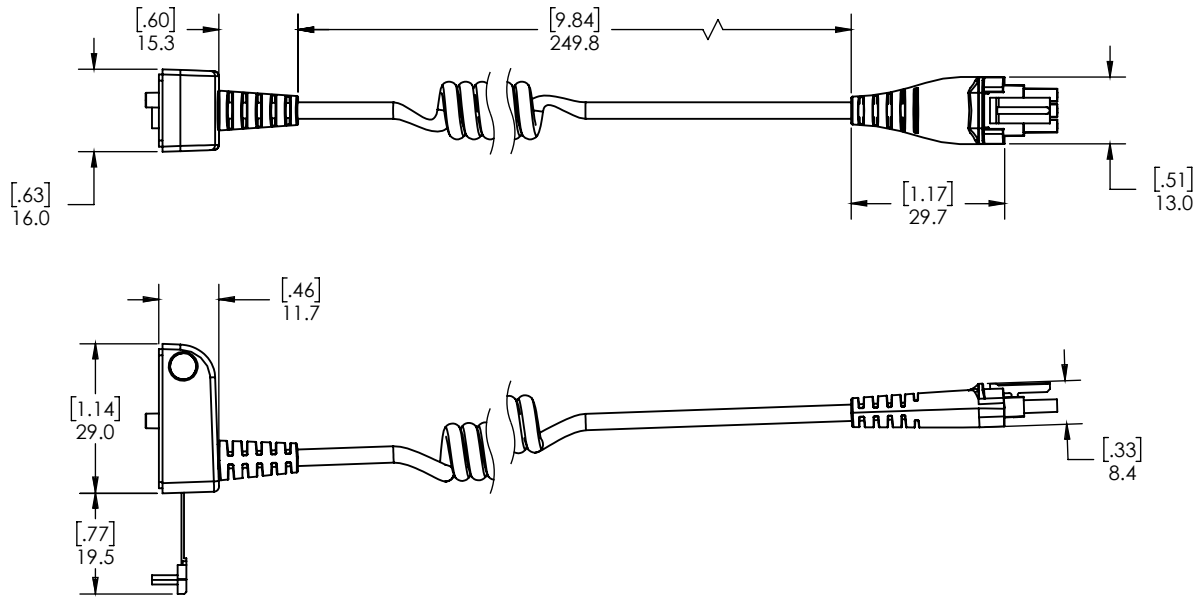


S855V VERTICAL HH STAND TRAY KIT - Clear, Black, or White (DCD210):

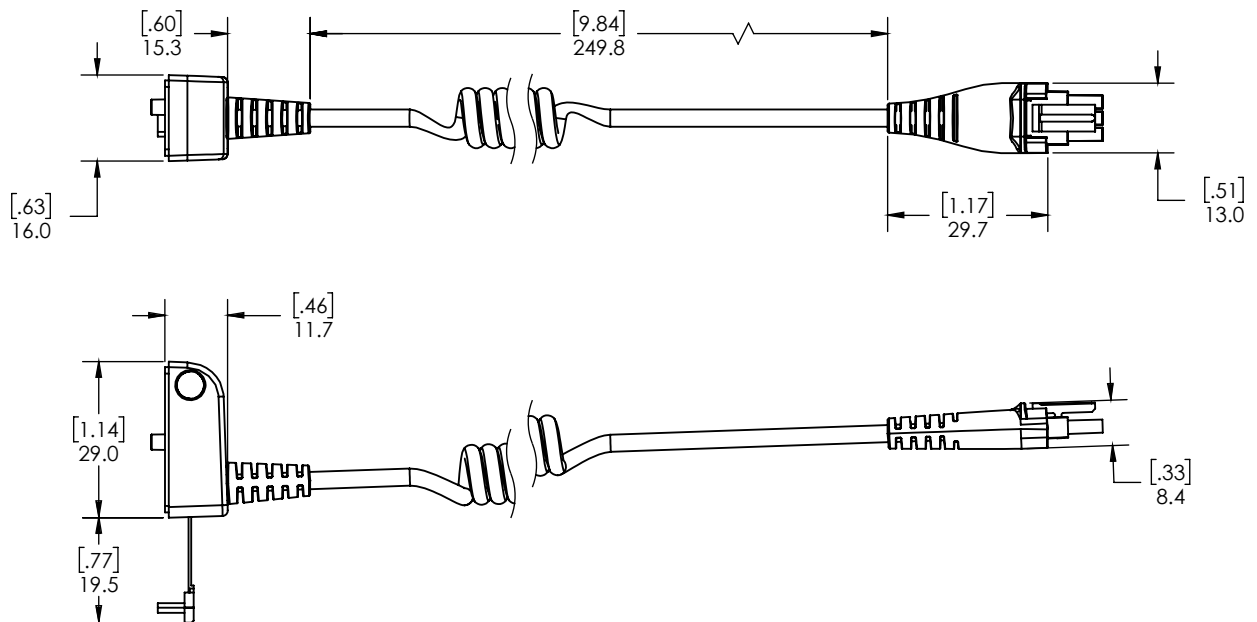


## SPECIFICATIONS

S855V ULP MICRO USB (STANDARD) SENSOR (DCD211):

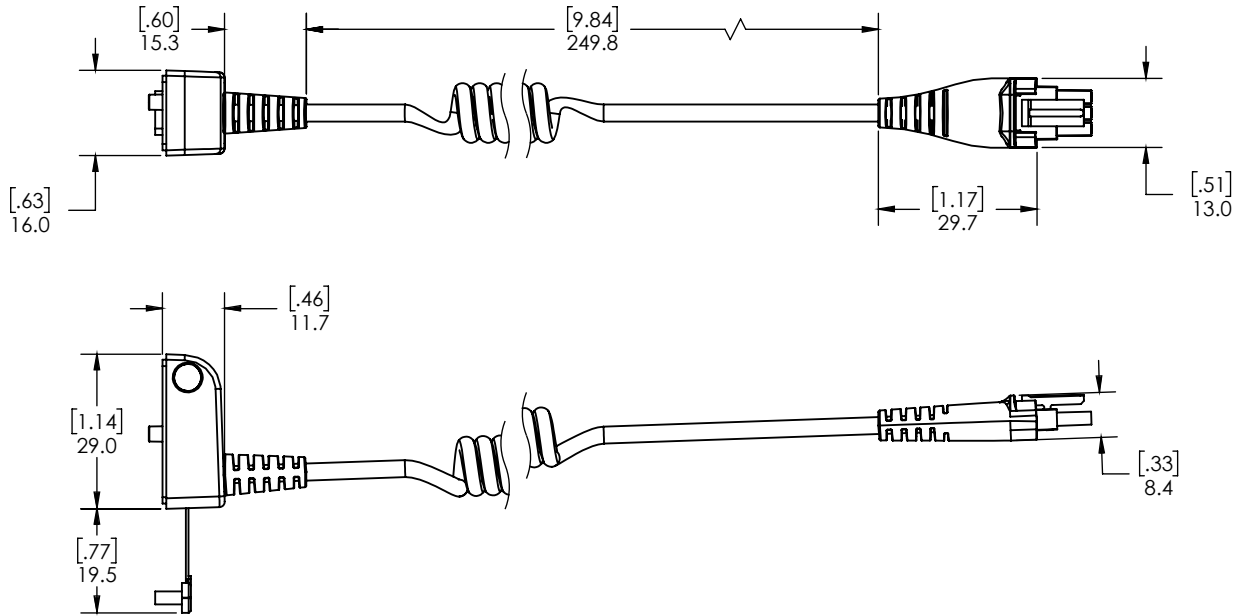


S855V ULP MICRO USB (REVERSED) SENSOR (DCD212):

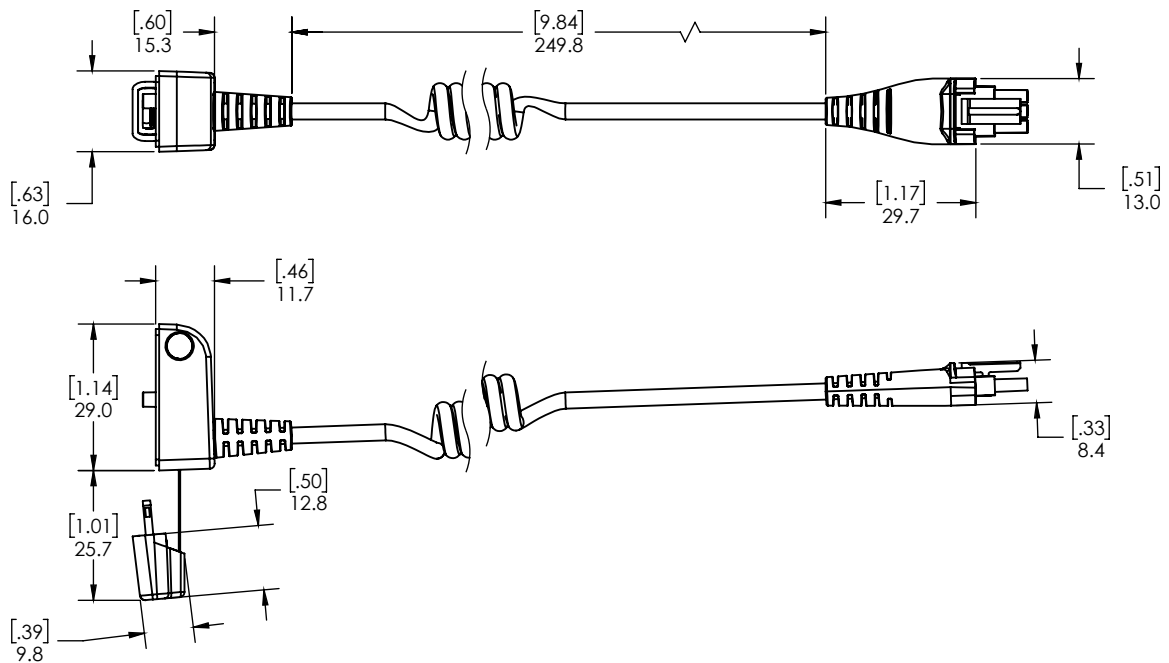


## SPECIFICATIONS

S855V ULP USB-C SENSOR (DCD213):

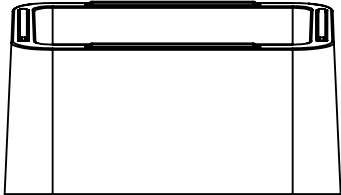
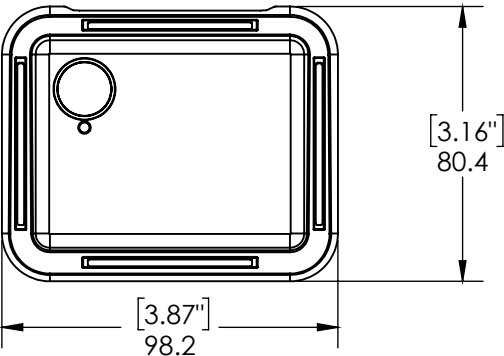
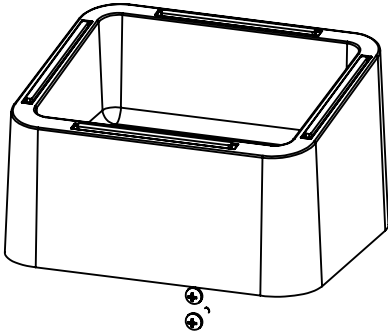
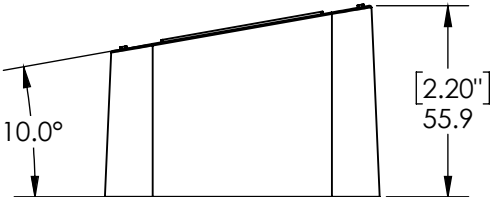


S855V LIGHTNING SENSOR (DCD214):



**SPECIFICATIONS**

S855V TABLET STAND (DCD216):



### PRODUCT ORDERING

ORDER CODE	DESCRIPTION	NOTES
DCD209-B DCD209-W	S855V VERTICAL HANDHELD ALARMING STAND	Available in Black or White
DCD210 DCD210-B DCD210-W	S855V VERTICAL HH STAND TRAY KIT	Available in Clear, Black or White
DCD211-B DCD211-W	S855V ULP MICRO USB (STANDARD) SENSOR	Available in Black or White
DCD212-B DCD212-W	S855V ULP MICRO USB (REVERSED) SENSOR	Available in Black or White
DCD213-B DCD213-W	S855V ULP USB-C SENSOR	Available in Black or White
DCD214-B DCD214-W	S855V LIGHTNING SENSOR	Available in Black or White
DCD216-B DCD216-W	S855V TABLET DISPLAY STAND (USED WITH DCD209)	Available in Black or White
DKHC200-B DKHC200-W	S2865 HANDHELD BRACKETS SMALL	
DKHC201-B	S2865 HANDHELD BRACKETS LARGE	
DKTC200-B	S2865 TABLET NARROW BRACKETS	(115mm -154mm)
DKTC201-B	S2865 TABLET WIDE BRACKETS	(141mm -180mm)
ADH2323	ADHESIVE KIT FOR S850 VERTICAL STAND	
ADH2324	ADHESIVE KIT FOR S850 VERTICAL SENSORS	
ADH2335-B ADH2335-G	ANTI-SLIP STRIP S855V TABLET STD 16PK	Available in Black or Grey

invue.com

©2019 InVue Security Products. No endorsement of InVue products has been made by any of the manufacturers of the products shown. Product is sold pursuant to InVue's warranty which can be found at [www.invue.com/warranty](http://www.invue.com/warranty).

**THE AMERICAS** 704.752.6513 • 888.55.INVUE  
**EUROPE, MIDDLE EAST & AFRICA** +31.23.8900150  
**ASIA PACIFIC** +852.3127.6811