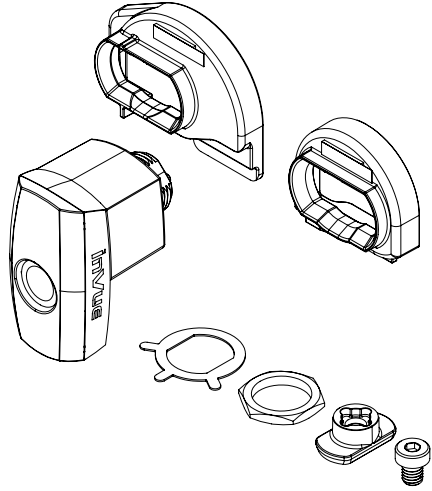
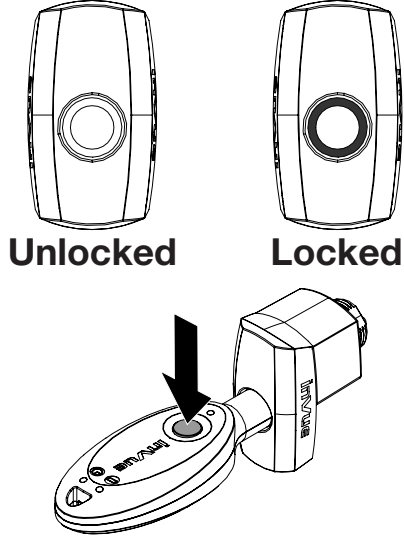


## Smart Locks

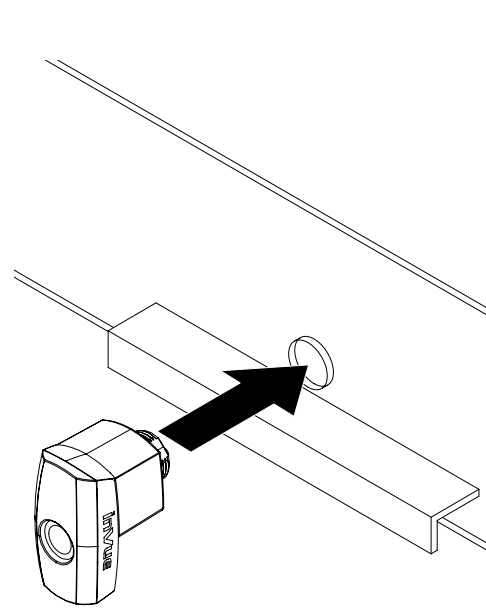
Custom Cam Lock for  
Gondola Applications  
PL304



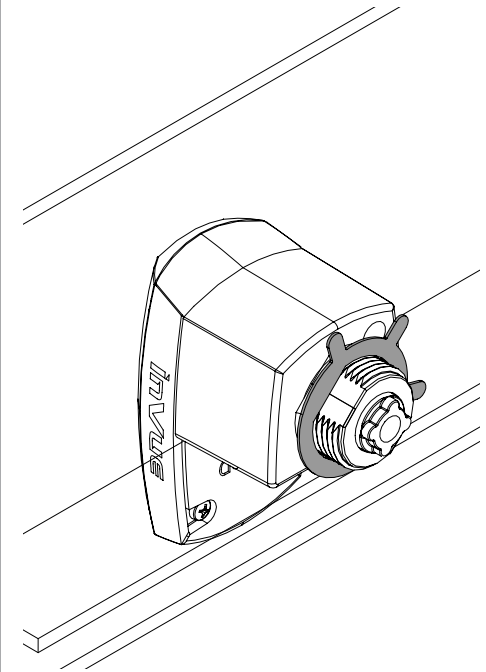
- 1 Ensure that the lock is in the unlocked position. The lens will have a white ring showing. If locked, the ring will be black. If it is locked, place a charged and coded OneKEY against the lens and press the button to unlock the lock.



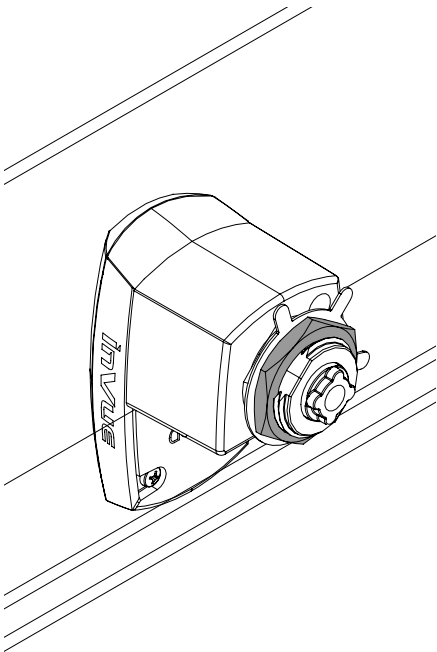
- 2 Insert the lock stem through the hole in the front panel of the fixture.



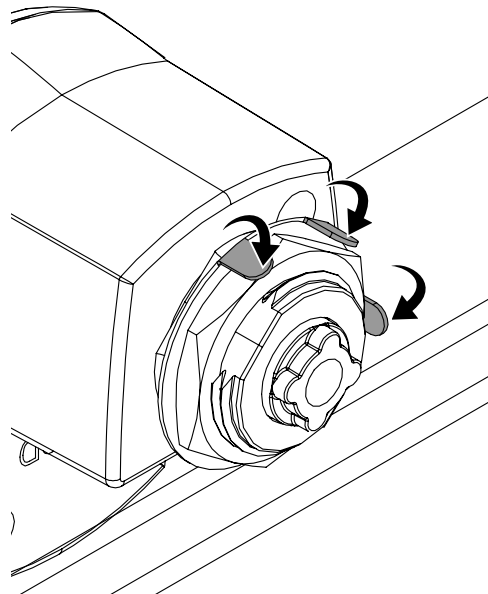
- 3 From the backside of the panel, place the lock washer onto the lock stem.



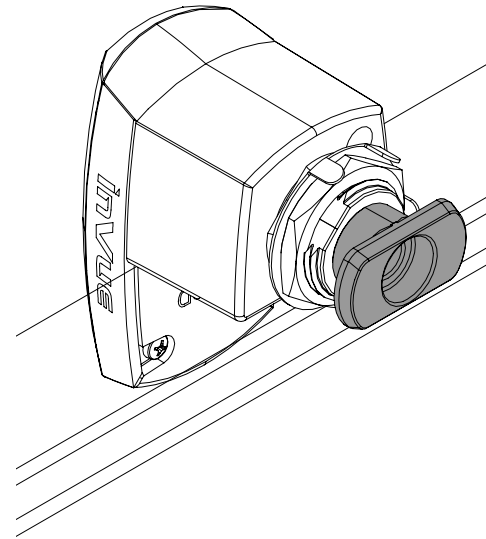
- 4 Thread the nut onto the lock stem. Tighten fully.



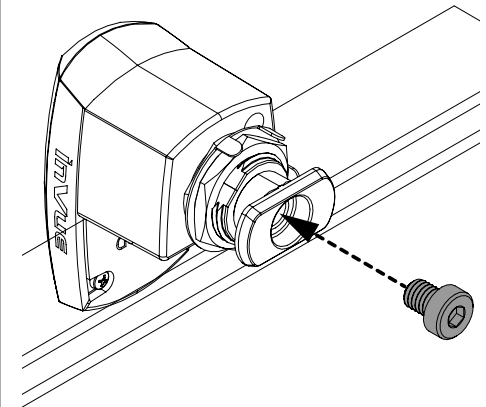
- 5 Fold the tabs on the lock washer over the nut.



- 6 Place the cam arm on the end of the lock stem in the horizontal position.

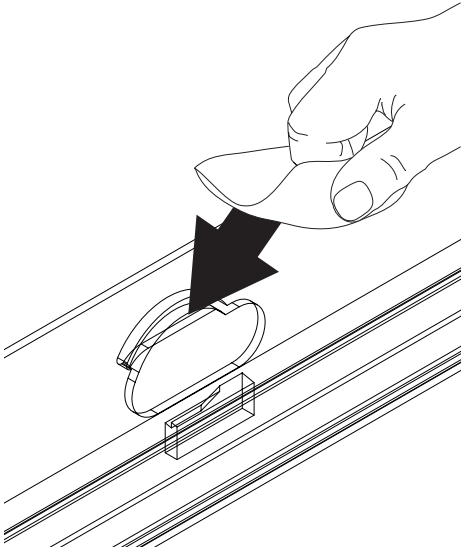


- 7 Secure the cam arm using the provided screw.



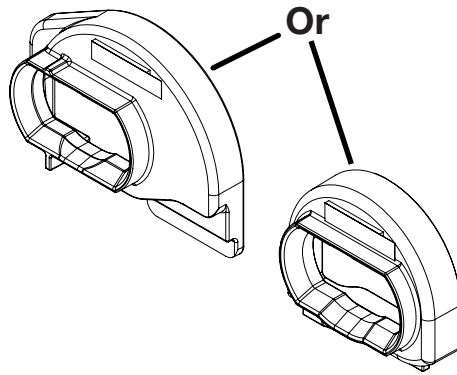
8

Use the provided alcohol wipe to clean the inside on the inner panel where the adapter will be placed. Allow it to dry completely.



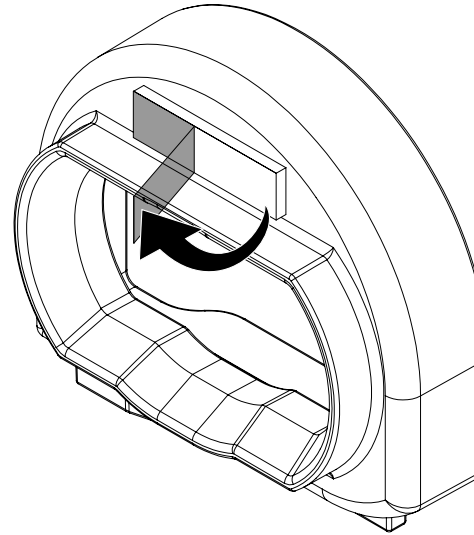
9

Select the adapter that is appropriate for your fixture.



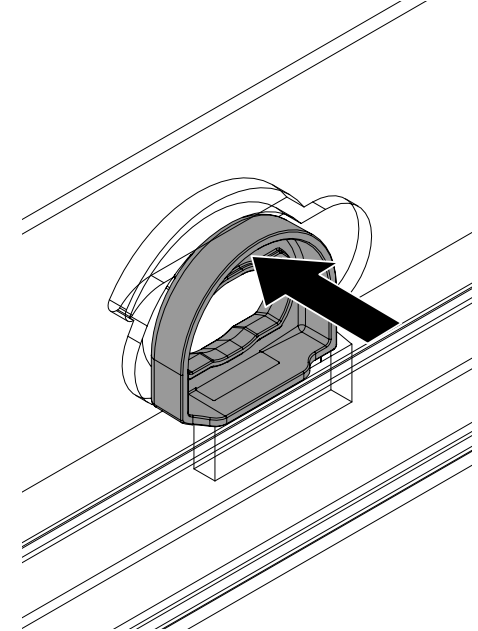
10

Peel the clear film from the adhesive on the adapter.



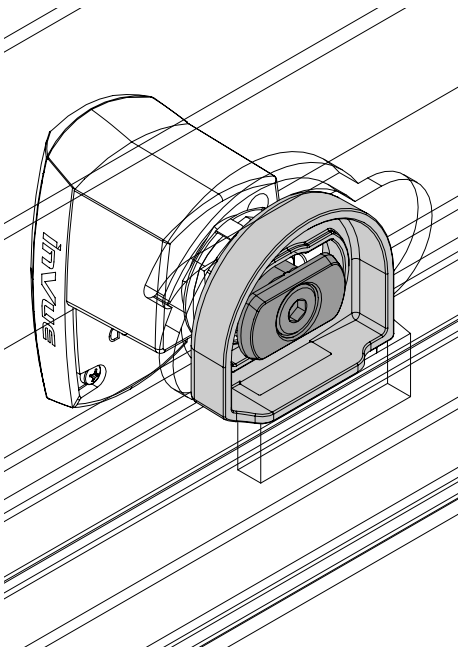
11

Fit the adapter into the depression on the back of the inner panel. Apply pressure for at least 10 seconds.



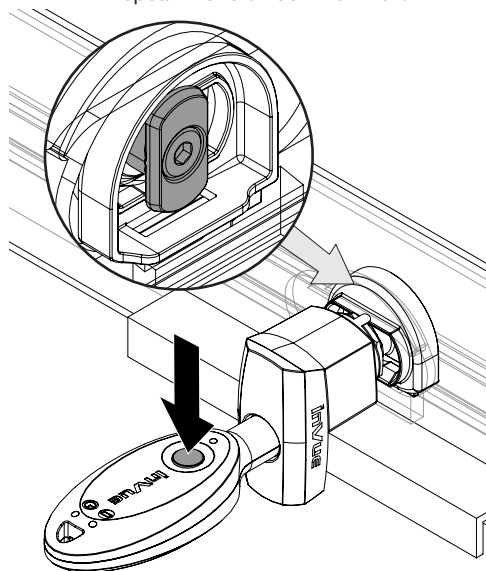
12

Close the front panel so that the cam arm fits through the adapter.



13

Place a charged and coded OneKEY against the lens on the lock and press the button on the key. The cam arm will turn to lock the fixture. Repeat this to unlock the fixture.



SD0772 Rev0 03/23/20

**invue**

[www.invue.com](http://www.invue.com)

NA / LATAM // 704.752.6513 • 888.55.INVUE

EMEA // +31.23.8900150

APAC // +852.3127.6811

© 2020 InVue Security Products Inc. All rights reserved.  
InVue is a registered trademark of InVue Security Products.